



Perry Township Schools
6548 Orinoco Avenue
Indianapolis, Indiana 46227

To: Board of Education
From: Chris Sampson
Subject: Agreement with ERS for Installation of Weapons Detection System
Date: May 22, 2023

SECURITY SYSTEMS UPGRADE PROJECT – Action Item

We recommend acceptance of an agreement with ERS Wireless for the installation of Weapons Detection Systems.

Project Scope

Equipment will be installed at Perry Meridian High School (Door 1, 6, 7 and 18) and Southport High School (Door 1, 12, 16, 17, 18, and 19).
The equipment is mobile and can be transported and used at outdoor events.

Background Information

The project will be paid for from the G.O. Bonds earmarked for repair and renovation.
The cost includes:

- The purchase of 7 Single Lane and 4 dual lane Concealed Weapons Detection Devices and Kiosks.
- 4-Year Software Subscription
- 4-Year Essential Services Support (on site-warranty work, preventative maintenance, software/firmware updates and training).

The equipment integrates with the Motorola radios and the Avigilon Camera System to provide facial recognition alerts and appearance search capabilities.

Sole Source Project

The Evolve Weapons Detection system meets our specs which included the integration with other security systems we currently have in place. ERS is the sole provider of the Evolve Weapons Detection systems in Central Indiana. We have the required documentation of this for our files.



Statement of Work

1.0 Purpose

ERS Wireless has assembled this document, called a Statement of Work, which is a summary of the tasks to be performed by ERS Wireless, as well as a narrative explanation of the deliverables that will need to be provided by the purchaser, Perry Township Schools. It is the intent of ERS Wireless that this document represents the most current understanding of the contract deliverables. Changes to this document will be made by formal request by either party and approved by the other.

ERS Wireless will include technical product sheets, special and other printed matter which clearly delineate the technical parameters describing the form, fit, function, facility impact, power requirements, and interface requirements of all the equipment and software supplied by ERS Wireless.

1.1 Proposal Validity

This proposal is valid through May 24th, 2023, after which a pricing refresh is required prior to ordering.

1.2 Quality of Work

All work shall be performed in a manner consistent with high quality commercial practice and in accordance with all applicable manufacturers' installation and maintenance manuals. All equipment and material shall be new and will meet the high-quality requirements set forth by ERS Wireless.

1.3 Safety

ERS Wireless will comply with all applicable local and national safety requirements in the installation of all ERS Wireless supplied equipment. ERS Wireless requests that Perry Township Schools assigns a Project Manager to advise ERS Wireless personnel of any unique safety precautions that should be observed while working at Sweetwater Sound locations, if applicable.

1.4 Zoning, Permits, & Licenses

Perry Township Schools is solely responsible for any licenses, fees, or other required authorizations. ERS Wireless will assist Perry Township Schools with the preparation of any required license applications if requested. Perry Township Schools is responsible for all zoning requirements and/or State and Local permits required for the project.

1.5 Project Change Orders

Changes to the Statement of Work may be formally requested by either the Perry Township Schools Project Manager or ERS Wireless by identifying the actual change requested the reason for the request, and the associated date of the request. Both parties will review the change order and any revisions to the change request will be negotiated. Any monetary or scheduling changes will also be recorded in the change order. The official change order will provide new Statement of Work insert pages that include the revisions. The Change Request Number, Reason for Change, Date, and any monetary, schedule or contract impact will be recorded in each change order.





2.0 Perry Township Schools Responsibilities

2.1 Building, Utilities, & Support Systems

Perry Township Schools will supply the building, utilities, and all support systems, AC power, and any needed access for site surveys as required to support the proposed infrastructure installation.

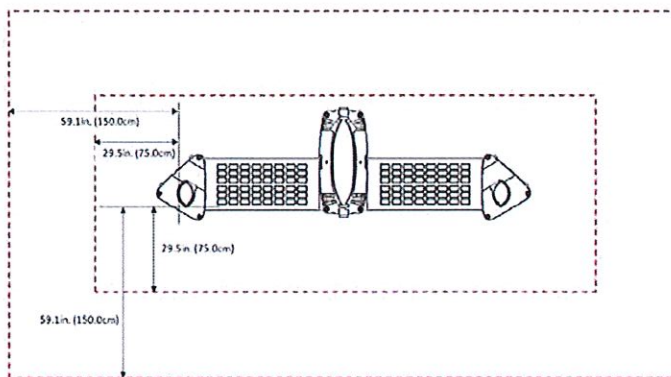
AC Power: Motorola Concealed Weapons Detection comes standard with a detachable 15 ft. power cord (shipped with the device) supplied for connecting the device TX Tower to the power outlet. One end of the power cord supports an IEC 320 (S15 Variant) connector while the other end supports local AC power plug requirements. Approximately 9 feet of the power cord will be exposed when run under a Lane 1 or Lane 2 mat. All other power sockets, plugs, or cords are provided by others. The device comes with a standard IEC 320 (S15 Variant) inlet socket for the power connection. AC power requirements are:

- Voltage: 115-230 VAC +/-10%
- Phase: single Phase
- Circuit (minimum): 5 Amps
- Consumption (typical): 170 W-200 W

Exclusion Zones:

The Concealed Weapons Detection solution utilizes electromagnetic field and low frequency technologies to proactively detect guns, large knives, and explosive threats. "Exclusion Zones" represent the surrounding area to the device placement that must be free of large metallic objects, metallic doors, and moving metal objects that may interfere based on proximity location to the system.

The Motorola Concealed Weapons Detection hardware has two exclusion zones around the system. The first exclusion zone of 59.1 in. (150.0 cm) should be kept clear of large moving metal objects (for example: doors, mobility assist devices, escalators, etc.). The second exclusion zone of 29.5 in. (75.0 cm) should be kept clear of large metallic objects (for example: bike racks, fencing, stanchions, barrels, etc.). The exclusion zones are measured from the outer surfaces of the TX and RX towers. These exclusion zones are intended as minimum guidelines; additional spacing might be required.



Single-Lane Operational Area (Typical)

The operational area of the Evolv Express is very configurable, enabling flexible installations. Below is a typical single-lane installation. The Flow Control tablets can be located off of the TX Tower (center of the area) and the Alarm Resolution stations can be located as needed, to accommodate physical space. The width of a single-lane installation can be as small as the width of the single-lane device, 6.2 ft. (187.5 cm).





Multiple Concealed Weapons Detection Systems – Minimum Separation

Multiple systems must be separated by at least 78.7 in. (200.0 cm). Increase the separation between systems to handle large volumes of visitors, or to accommodate Alarm Resolution stations.



2.2 Site Access

Perry Township Schools is responsible for providing ERS Wireless and its subcontractor's access to work sites from 8:00 a.m. to 5:00 p.m., Monday through Friday, excluding holidays, and as necessary for warranty service., and will assist with making available parking space for the service vans and delivery trucks that is convenient for easy access for tools, materials, and test equipment. All non-service vehicles will use the normal public parking facilities.

3.0 Equipment Installations

3.1 Delivery & Placement

ERS Wireless or its subcontractor will deliver and physically place/install all proposed equipment. All cabling will be properly connectorized & terminated.

4.0 ERS Wireless Scope of Work

4.1 Delivery, Training, & Support

- 4.1.1 ERS Wireless or its subcontractor will deliver, assemble, test, and integrated the proposed Concealed Weapons Detection Devices into your existing Avigilon system at the below Perry Meridian High School and Southport High School locations:

Perry Meridian High School:

- 2 Dual Lane at Door 1 (Rugged/Outdoor)
- 1 Single Lane (R) at Door 6 (Music Area)
- 1 Single Lane R) at Door 18 (Rugged/Outdoor)

Southport High School:

- 1 Single Lane (R) at Door 1
- 1 Dual Lane at Door 3A Fieldhouse (Rugged/Outdoor)
- 1 Dual Lane at Door 12 (Rugged/Outdoor)
- 1 Single Lane (L) at Door 16
- 1 Single Lane (L) at Door 17
- 1 Single Lane(R) at Door 18
- 1 Single Lane (L) at Special Ed Entrance, Door 19 (Rugged/Outdoor)





- 4.1.2 Device & Tablet Connectivity:** The device includes with one 20 ft. CAT6 Ethernet cable per tablet. The tablet may be connected via this cable, or wirelessly (up to ~ 100 ft) via an integrated Wi-Fi connection established between the device and tablet. Planned configuration is Wi-Fi at the device location for Tablet 1. Optionally, ERS can provide a separate proposal to network remote the second Concealed Weapons Detection tablet enabling remote monitoring per your request.
- 4.1.3 Network Connectivity:** For any proposals supporting Avigilon Control Center connectivity, two Ethernet network drops are required connecting to the device. The port labeled "External Network" at the base of the TX Tower must be connected to a network with internet access and must be routed to the same network as the client network of the ACC Server. Additionally, the port labeled "F/R Cameras" at the base of the TX Tower must be connected to the same camera network as the ACC Server.
- 4.1.4 Training Approach:** ERS Wireless or its subcontractor will provide training to Sweetwater Sound in one "Train the Trainer" session on the use and administration of the integrated Concealed Weapons Detection and Avigilon Control Center system.

5.0 Scope of Work Changes

Scope of Work Changes: Changes to the Scope of Work may be formally requested either by the Customer primary point of contact or ERS Wireless by identifying the actual change requested, the reason for the request, and the associated date of the request. Both parties will review the change order and any revisions to the change request will be negotiated. Any monetary or scheduling changes will also be recorded in the change order. The official change order will provide a new Scope of Work insert pages that includes the revisions. Any changes to the equipment list will require an additional quote.





Proposal Acceptance



Seven (7) Single Lane and Four (4) Dual Lane Motorola Concealed Weapons Detection Devices with 4 Year Software Subscription.

Proposed Solution Price: \$1,440,695.36

- Above price includes the Concealed Weapons Detection hardware, weapons detection test kit, shipping, installation, and solution training and **4-year software subscription** covering all ongoing updates



4 Year ERS Wireless Essential Services Support.

Proposed Solution Price: \$52,800

ERS Essential Services Includes:

- 4-year Priority Service, including remote & on-site support & annual preventative maintenance checks.
- All parts, labor, & warranty repairs under normal usage with Motorola and/or other vendors.
- All site travel for service calls Monday through Friday 8 a.m. to 5 p.m., excluding holidays.
- Any shipping costs to return parts/equipment to customer after repair.
- Support for any required software/firmware updates to infrastructure.
- Does NOT include physical or liquid damage repairs, lost or stolen equipment, acts of God such as lightning strikes, flood, or wind damage.

Signature below constitutes acceptance of the proposed contract price, and hereby authorizes ERS Wireless to proceed with ordering all components.

Proposed By:
ERS Wireless

Printed Name: Matthew D. Alexander

Signature: _____
Title: K-12 Education Specialist
Date: 5/7/23

Approved By:
Perry Township Schools

Printed Name: Emily Hartman

Signature: _____
Title: School Board President
Date: _____

Ken Mertz, School Board Secretary

